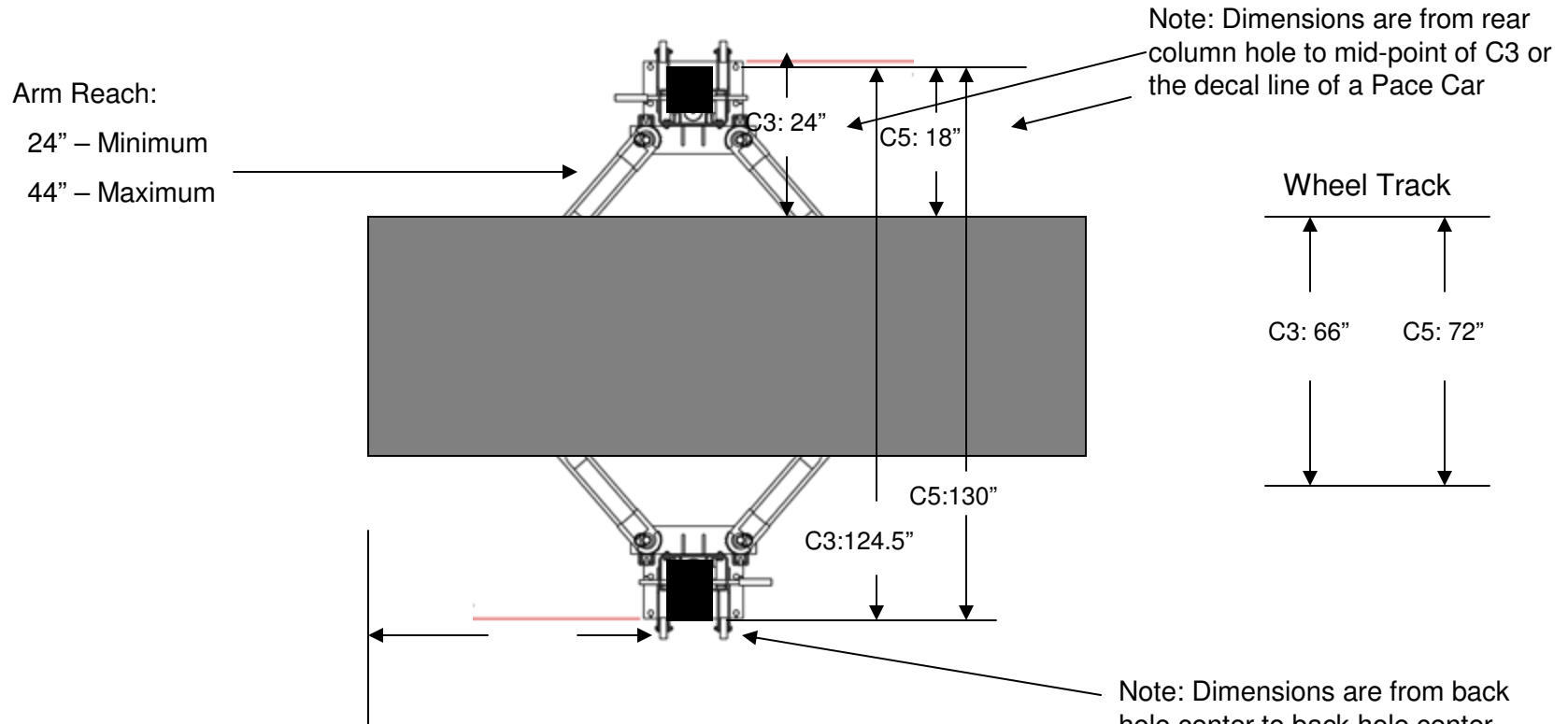


MaxJax Floor Plan: C3 & C5

(Illustrates column location for single car space)

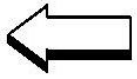
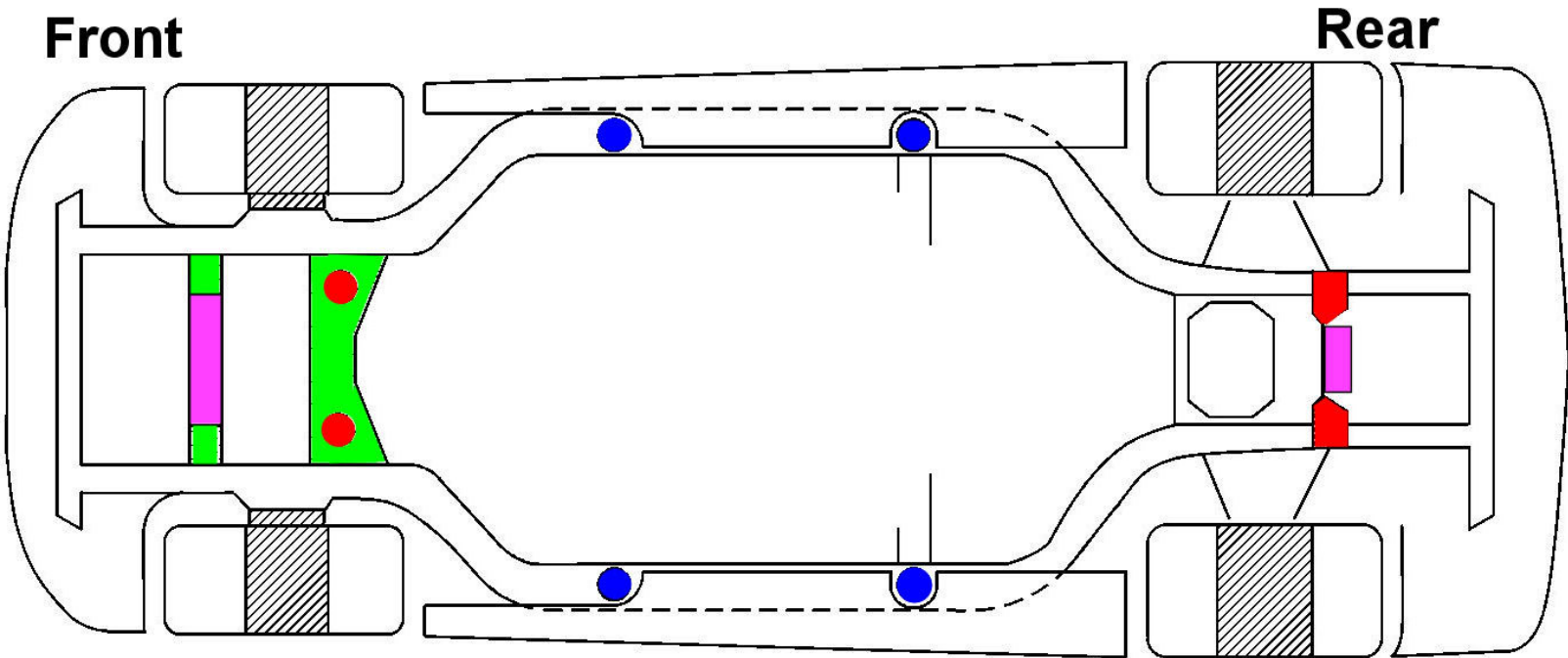


Note: C5 column location use 124.5" rearward anchors from C3 location. C5 lift location uses GM designated lift pads (see Page 2)

Graphics are not to scale
Measurements are approximate

MaxJax C3, C5 floorplan by Tom Russo
www.hunt4cleanair.net

C5 Lift Locations



-  Preferred locations
-  Optional locations
-  Frame contact locations for use with a lift
-  Bugman locations for single jack
-  Suspension locations